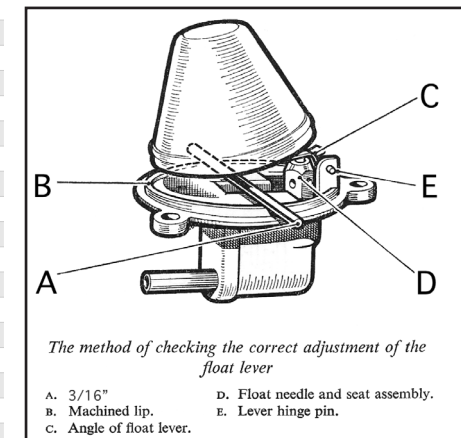


Illus #	Description	Part #
1	Carburetor Assembly - front	
2	Body	
3	Pin -piston lifting	
4	Spring -pin	
5	Circlip -pin	
6	Chamber & Piston Assembly	
7	Screw -needle locking	
8	Cap & damper	
9	Washer (black fibre)	AUC 4900
10	Spring -piston-red	
11	Screw -chamber to body	
12	Jet Assembly	included
13	Nut	
14	Washer	
15	Gland (viton)	
16	Ferrule	
17	Bearing -jet	
18	Washer -jet bearing (brass)	AUC 8478
19	Screw -jet locking	
20	Spring -jet locking	
21	Screw -jet adjusting	
22	Needle	
23	Chamber -float	
24	Washer -support	
25	Grommet (viton)	included
26	Washer (viton)	AUC 1318
27	Washer -plain	
28	Bolt -float chamber fixing	
29	Lid -float chamber	
30	Float	
31	Pin -hinge	AUC 1152
32	Needle & Seat	6151
38	Gasket -lid	AUC 8459
39	Screw -lid	
40	Washer -spring	
41	Spindle -throttle	
42	Disc -throttle	
43	Screw -disc	
44	Lever -throttle return	
45	Lever -lost motion	
46	Washer -spacing	
47	Nut -lever	
48	Washer -tab	AUC 1206
49	Screw -throttle stop	
50	Spring -screw	
51	Lever and link -pick-up	
52	Screw -link to lever	
53	Lever -cam	
54	Spring -pick-up lever	
55	Spring -cam lever	
56	Bolt -pivot	
57	Tube -pivot bolt	
58	Washer -spring	
59	Washer -distance	



Typical S.U. HS Carburetor - Manual Choke

"Parts for the Solution"
BRITISH SUPERIOR
 Replacement Parts For SU & Zenith Carburetors