

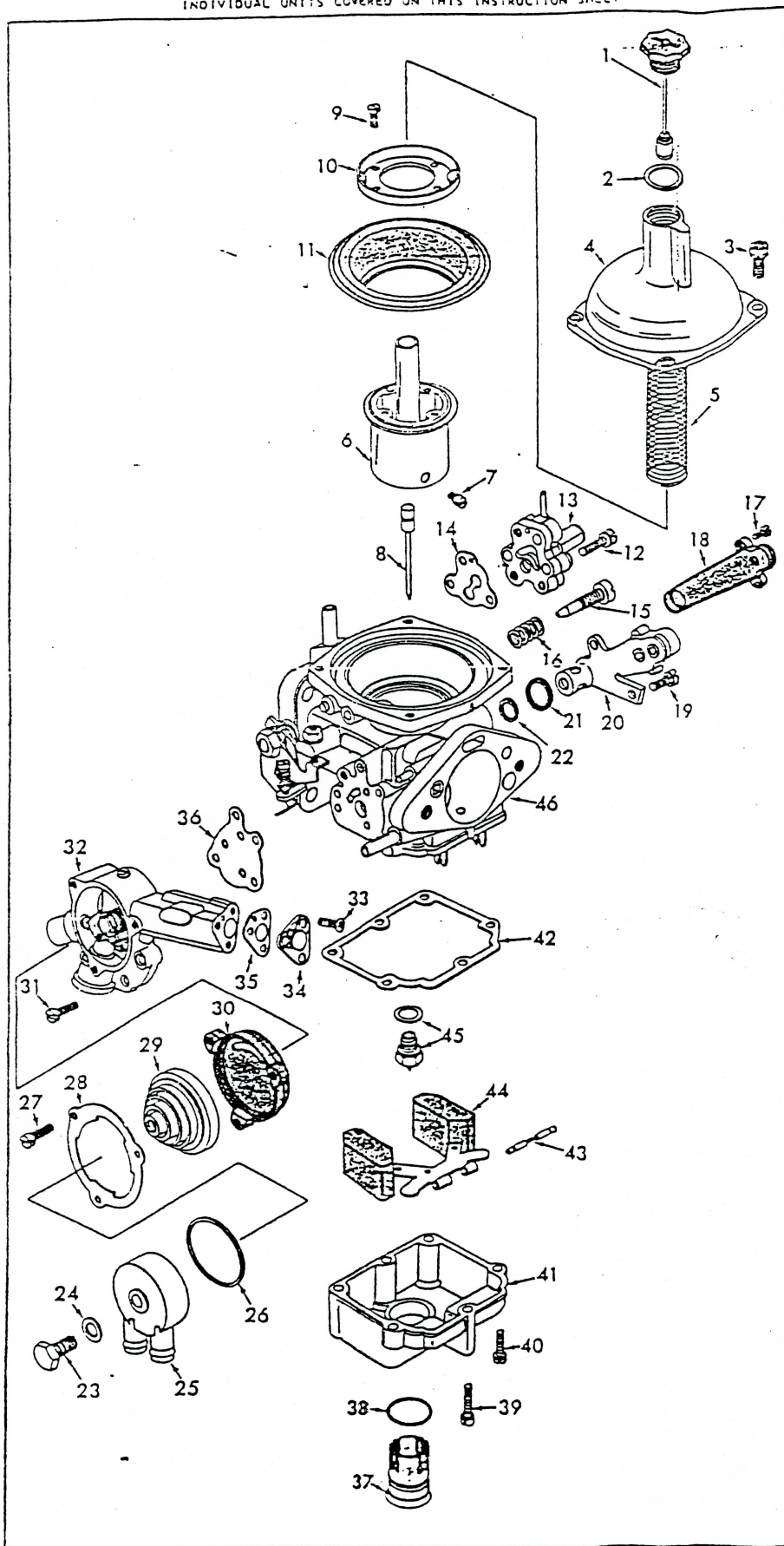
INSTRUCTION SHEET

STROMBERG CARBURETOR—MODEL CD

WITH AUTOMATIC CHOKE

GENERAL EXPLODED VIEW

THE GENERAL DESIGN AND PARTS SHOWN WILL VARY TO INDIVIDUAL UNITS COVERED ON THIS INSTRUCTION SHEET



DISASSEMBLY

USE EXPLODED VIEW AS A GUIDE. ALWAYS DISASSEMBLE CARBURETORS INDIVIDUALLY AS PARTS SHOULD NOT BE INTERCHANGED. THE NUMERICAL SEQUENCE MAY GENERALLY BE FOLLOWED TO DISASSEMBLE UNIT FAR ENOUGH TO PERMIT CLEANING AND INSPECTION. CAUTION: SUCTION CHAMBER AND PISTON ASSY. ARE PRECISION MADE AND MUST NOT BE TREATED ROUGHLY. DO NOT REMOVE PHILLIPS HEAD SCREWS THAT HOLD THROTTLE BY PASS VALVE TOGETHER. REMOVE SLOTTED ONES ONLY TO REMOVE UNIT. DO NOT REMOVE BI METAL STRIP FROM TEMPERATURE COMPENSATOR VALVE. (FACTORY ADJ.)

NOMENCLATURE

REF. NO.	REF. NO.
1. DAMPER PISTON ASSY.	22. SEAL (INNER)- COMPENSATING VALVE
2. GASKET- DAMPER ASSY.	23. BOLT- CHOKE WATER COVER
3. SCREW & LOCKWASHER (4)- SUCTION CHAMBER	24. GASKET- BOLT
4. CHAMBER- SUCTION	25. COVER- CHOKE WATER HSG.
5. SPRING- AIR VALVE RETURN	26. GASKET- COVER
6. AIR VALVE ASSY.	27. SCREW & LOCKWASHER (3)- CHOKE COIL RETAINER
7. SCREW- METERING NEEDLE LOCK	28. RETAINER- CHOKE COIL
8. NEEDLE- METERING	29. CHOKE COIL ASSY.
9. SCREW (4)- DIAPHRAGM RETAINER	30. INSULATOR SPACER- CHOKE
10. RETAINER- DIAPHRAGM	31. SCREW (3)- VACUUM PISTON COVER
11. DIAPHRAGM- AIR VALVE	32. HOUSING ASSY.- CHOKE
12. SCREW & LOCKWASHER (3)- THROTTLE BY PASS VALVE	33. SCREW (3)- VACUUM PISTON COVER
13. BY PASS VALVE- THROTTLE	34. COVER- VACUUM PISTON
14. GASKET- BY PASS VALVE	35. GASKET- COVER
15. NEEDLE- IDLE TRIMMING ADJUSTING	36. GASKET- CHOKE HSG. ASSY.
16. SPRING- ADJUSTING NEEDLE	37. PLUG- FLOAT CHAMBER
17. SCREW (2)- COMPENSATING VALVE COVER	38. O-RING- PLUG
18. COVER- COMPENSATING VALVE	39. SCREW & LOCKWASHER (4)- FLOAT CHAMBER
19. SCREW & LOCKWASHER (2)- COMPENSATING VALVE	40. SCREW & LOCKWASHER (2)- FLOAT CHAMBER
20. VALVE ASSY.- COMPENSATING	41. FLOAT CHAMBER
21. SEAL (OUTER)- COMPENSATING VALVE	42. GASKET- FLOAT CHAMBER
	43. PIN- FLOAT HINGE
	44. FLOAT & HINGE ASSY.
	45. NEEDLE, SEAT AND GASKET ASSY.
	46. MAIN BODY ASSY.

CLEANING

CLEANING MUST BE DONE WITH CARBURETOR COMPLETELY DISASSEMBLED. USE A CARBURETOR CLEANING SOLVENT. SOAK PARTS LONG ENOUGH TO SOFTEN AND REMOVE ALL FOREIGN MATERIAL. DO NOT PROLONG SOAKING IN CARBURETOR CLEANER BECAUSE OF RUBBER SEALS THAT ARE NOT REMOVED. MAKE CERTAIN THE THROTTLE BORE IS FREE OF ALL CARBON AND VARNISH DEPOSITS. RINSE OFF IN SUITABLE SOLVENT. BLOW OUT ALL PASSAGES IN CASTINGS WITH COMPRESSED AIR AND CHECK CAREFULLY TO INSURE THOROUGH CLEANING OF OBSCURE AREAS. DO NOT SOAK PARTS CONTAINING DIAPHRAGM, RUBBER OR PLASTIC MATERIALS, SUCH AS (11)(13)(20)(44)

REASSEMBLY

REASSEMBLE IN REVERSE ORDER OF DISASSEMBLY. NOTE SPECIAL INSTRUCTIONS AND FOLLOW NUMERICAL OUTLINE IN MAKING ADJUSTMENTS.

SPECIAL INSTRUCTIONS

LIGHTLY LUBRICATE O-RING'S BEFORE ASSEMBLING.

IDLE TRIMMING SCREW (15)- TURN IN UNTIL LIGHTLY SEATED. ONLY USED WHEN FINE IDLE ADJUSTMENT IS MADE WITH CO METER.

DIAPHRAGM MOUNTING (11)- BE SURE LOCATING LIP ENGAGES CORRESPONDING RECESS IN PISTON AND INNER EDGE FITS EASILY INTO MATCHING GROOVE OF PISTON. CAREFUL NOT TO TWIST DIAPHRAGM WHEN TIGHTENING SCREWS. WHEN INSTALLING COMPLETE ASSY. IN MAIN BODY BE SURE THAT OUTER LOCATING LIP OF DIAPHRAGM ENGAGES MATCHING RECESS IN HOUSING.

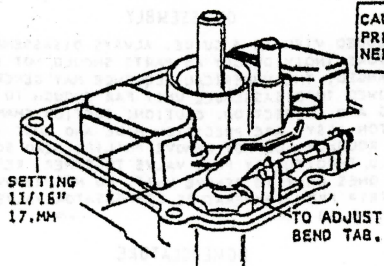
PISTON ASSY. (6)- LUBRICATE PISTON ROD LIGHTLY BEFORE INSTALLING. (LUBRICATE NO OTHER PART OF PISTON.)

BRITISH SUPERIOR

Replacement Parts For SU & Zenith Carburetors

ADJUSTMENTS

CARBURETOR INVERTED. (BOWL GASKET REMOVED) MEASURE DISTANCE FROM GASKET SURFACE OF CARBURETOR BODY TO HIGHEST POINT OF EACH FLOAT.



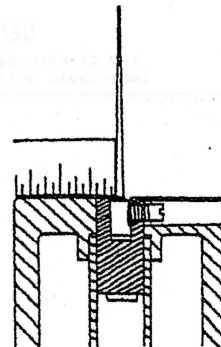
CAUTION: DO NOT EXERT PRESSURE ON RESILIENT NEEDLE VALVE.

TO ADJUST BEND TAB.

DRY FLOAT LEVEL ADJUSTMENT

FIG. 1

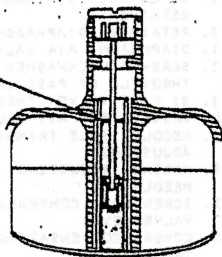
INSTALL NEEDLE WITH FLAT SIDE OF BUSHING FACING SET SCREW ALIGN SHOULDER OR PLASTIC WASHER OF NEEDLE BUSHING WITH FLAT SURFACE OF AIR VALVE AND TIGHTEN SET SCREW. (DO NOT OVERTIGHTEN)



METERING NEEDLE POSITION

FIG. 2

FILL WITH SUITABLE OIL TO WITHIN 1/4" OF END OF ROD.



HYDRAULIC DAMPER (OIL LEVEL)

FIG. 3

